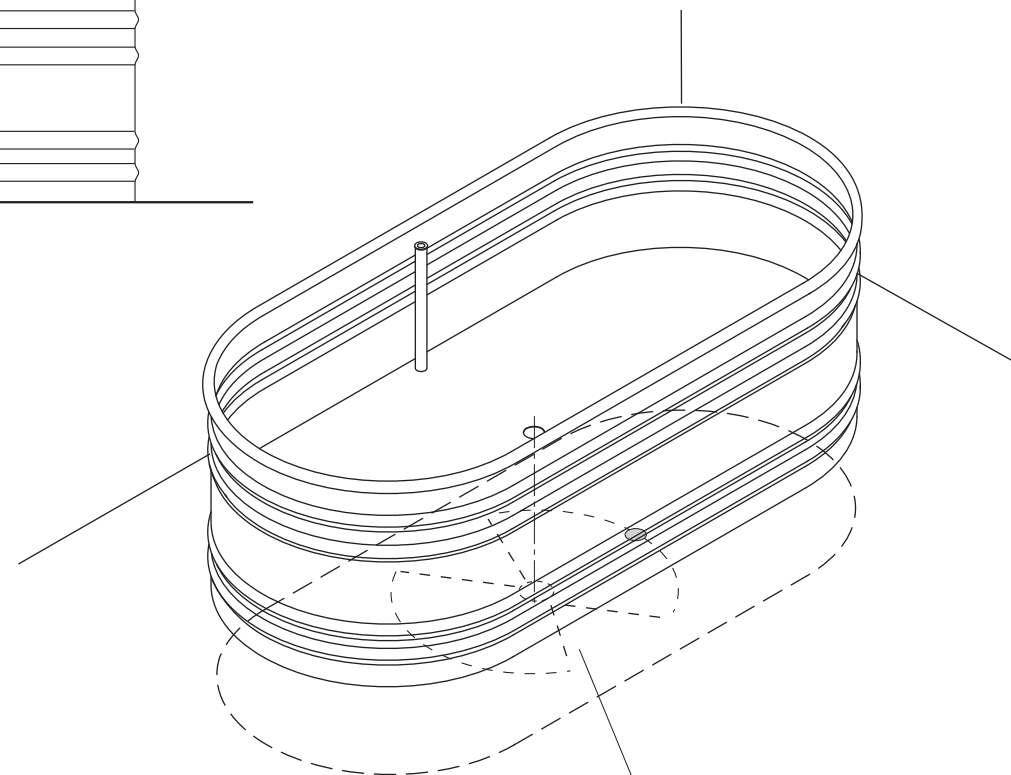
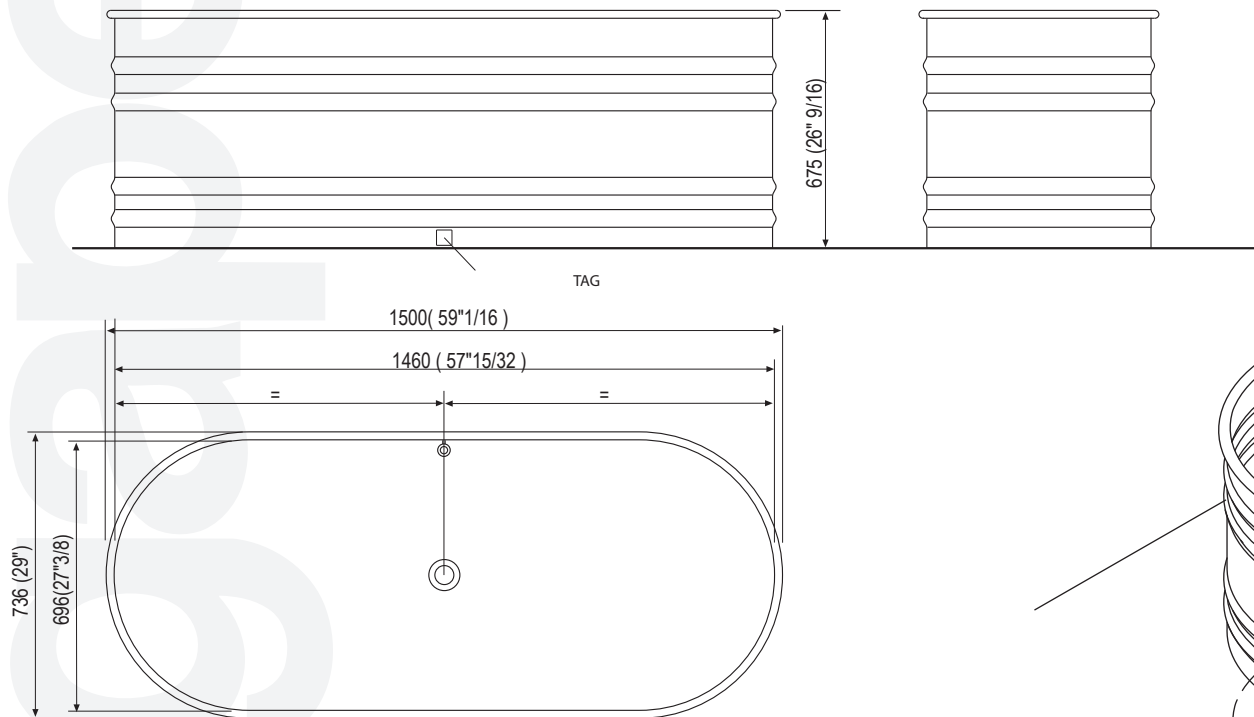


AVAS0912 "VIEQUES XS" vasca in metallo / metal bathtub

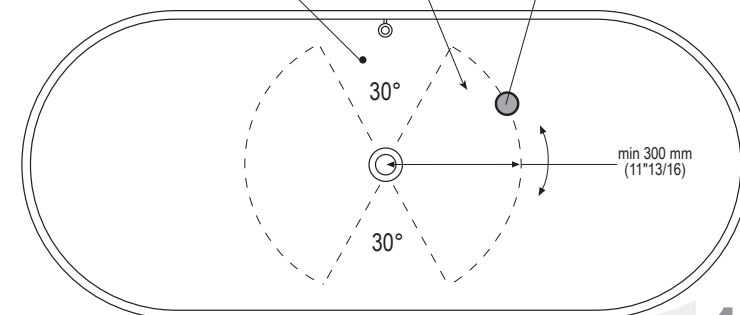


La vasca "Vieques" deve essere installata su un pavimento perfettamente in piano e non può essere incassata. Predisporre l'impianto di scarico a pavimento con tubo terminale diametro 40 mm con OR di tenuta, possibilmente nell'area indicata in figura A a filo del pavimento finito.

The "Vieques" bathtub must be positioned on a flat floor surface. Built-in installation not allowed. Prepare the sewage mains in the floor, ending with a 40 mm diameter pipe with a sealed OR gasket, possibly within the area indicated in figure A on the finished floor level.

area passaggio troppo pieno
area reserved for overflow pipe

tubo di scarico Ø40 mm con OR di tenuta.
mm 40 Ø (1"5/8) drain pipe with a OR gasket

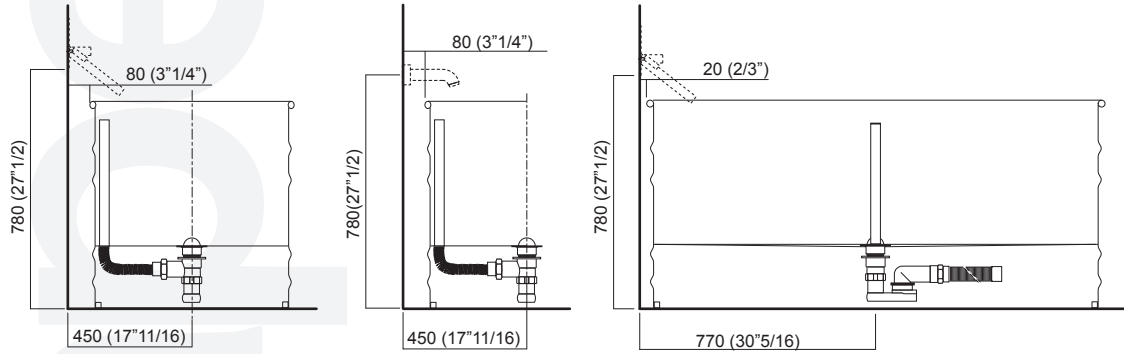


Attenzione: evitare di trascinare la vasca sul pavimento senza interporre un panno, per evitare di intaccare la verniciatura del bordo.

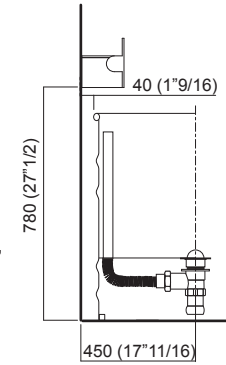
Attention: do not drag the bathtub over the floor without placing a cloth between bathtub and floor in order to avoid scratching of the edge's varnish.

AVAS0912 "VIEQUES XS" vasca in metallo / metal bathtub

QUOTE CONSIGLIATE PER RUBINETTERIA A PARETE / RECOMMENDED MEASURES FOR WALL MOUNTED TAPS

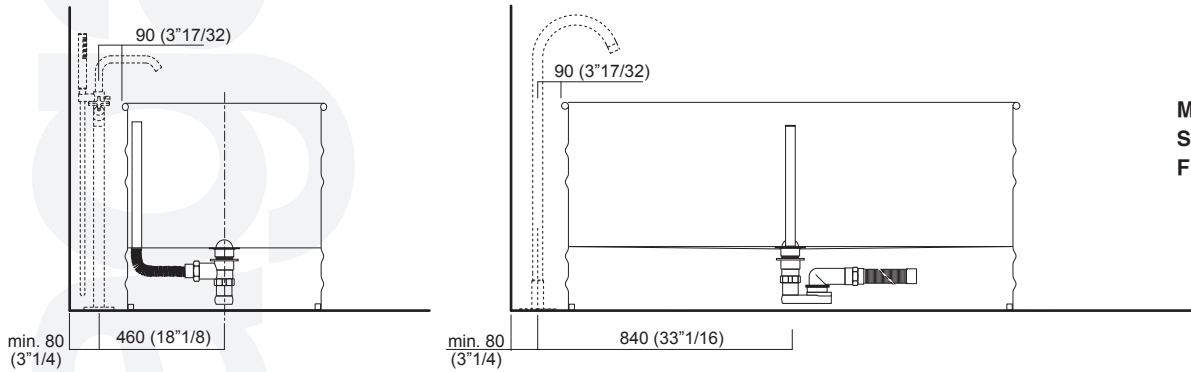


FEZ: ARUB050000L, ARUB051000L,
ARUB150000C, ARUB151000C,
ARUB190000C, ARUB191000C
SQUARE:
ARUB932ND, ARUB933NC, ARUB932NC,
ARUB933ND
MEMORY: ARUB1076S, ARUB1089S,
ARUB1077S, ARUB1040S,
ARUB1091S
SUITE: ARUB1107S

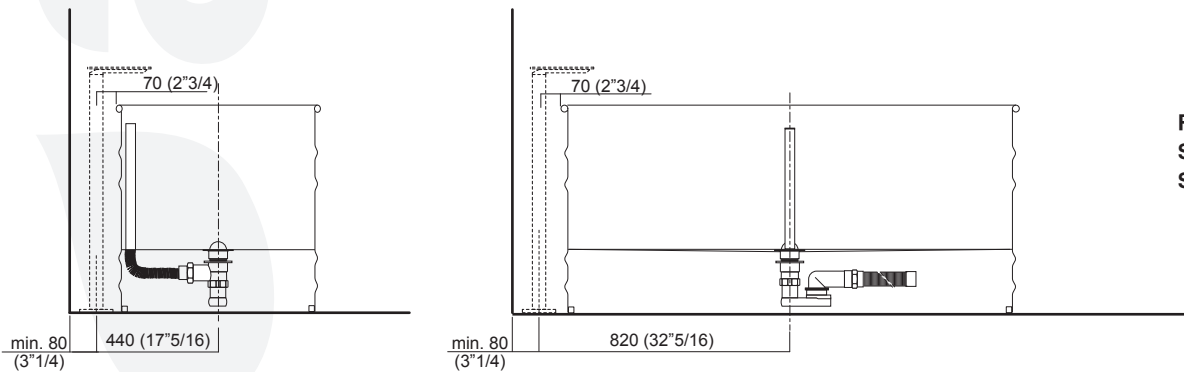


SEN: SEN912VS

QUOTE CONSIGLIATE PER PIANTANE DA TERRA / RECOMMENDED MEASURES FOR FREESTANDING SPOUT



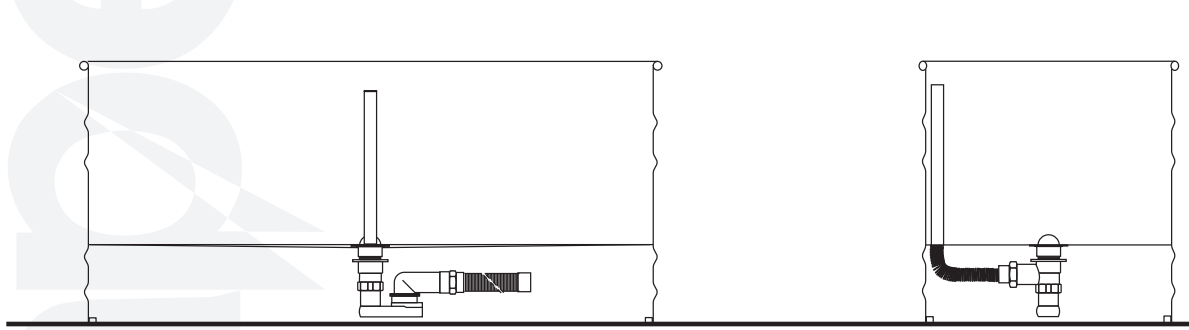
MEMORY: ARUB1033S
SUITE: ARUB1108S
FEZ: ARUB1410000, ARUB1470000



FEZ: ARUB0170000C
SQUARE: ARUB1024N
SEN: ASEN0911

AVAS0912 "VIEQUES XS" vasca in metallo / metal bathtub

SEZIONE / SECTION



PARTICOLARE PILETTA / DRAIN DETAIL

